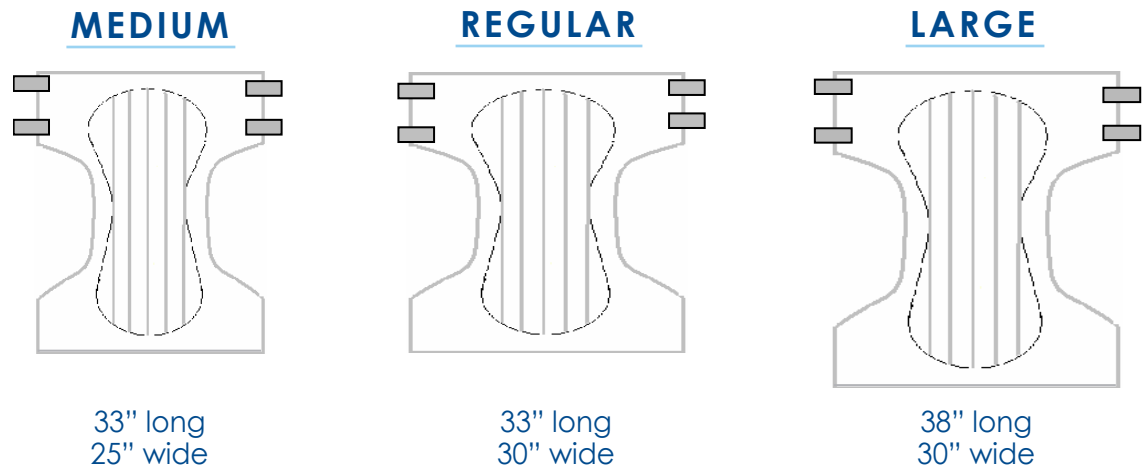


Regular Size Briefs

Attends® has designed a superior product to fill the increasing market need for a new sizing option. Our Regular size brief fits the growing number of residents that require the width of a Large brief but the length of a Medium. The design of the Regular brief is a perfect alternative for the shorter, wider resident. In addition, these briefs have a bigger leg cutout than the Medium brief to accommodate larger leg sizes.



This size also helps facilities save money in 3 major ways:

1. More residents are able to fit into this size than a size Large. Typically a Regular brief will cost 10% to 15% less than a Large brief. As an example, look at the costs of a Regular and Large Attends Breathable Brief:

SIZE	PRICE PER CASE	CASE COUNT	PRICE PER EACH	SAVINGS
Large	\$34.68	72	\$0.48	48/42=1.14 OR 14% LESS COST!
Regular	\$30.25	72	\$0.42	

2. Less money is spent on the clinical costs of having residents in the incorrect size. Improper sizing can lead to skin breakdown, potentially requiring additional time and money spent on maintaining skin care.
3. Less money is spent on laundry costs. If a resident is in a brief that does not fit properly then leakage can occur, resulting in more frequent changes and washing of linens.